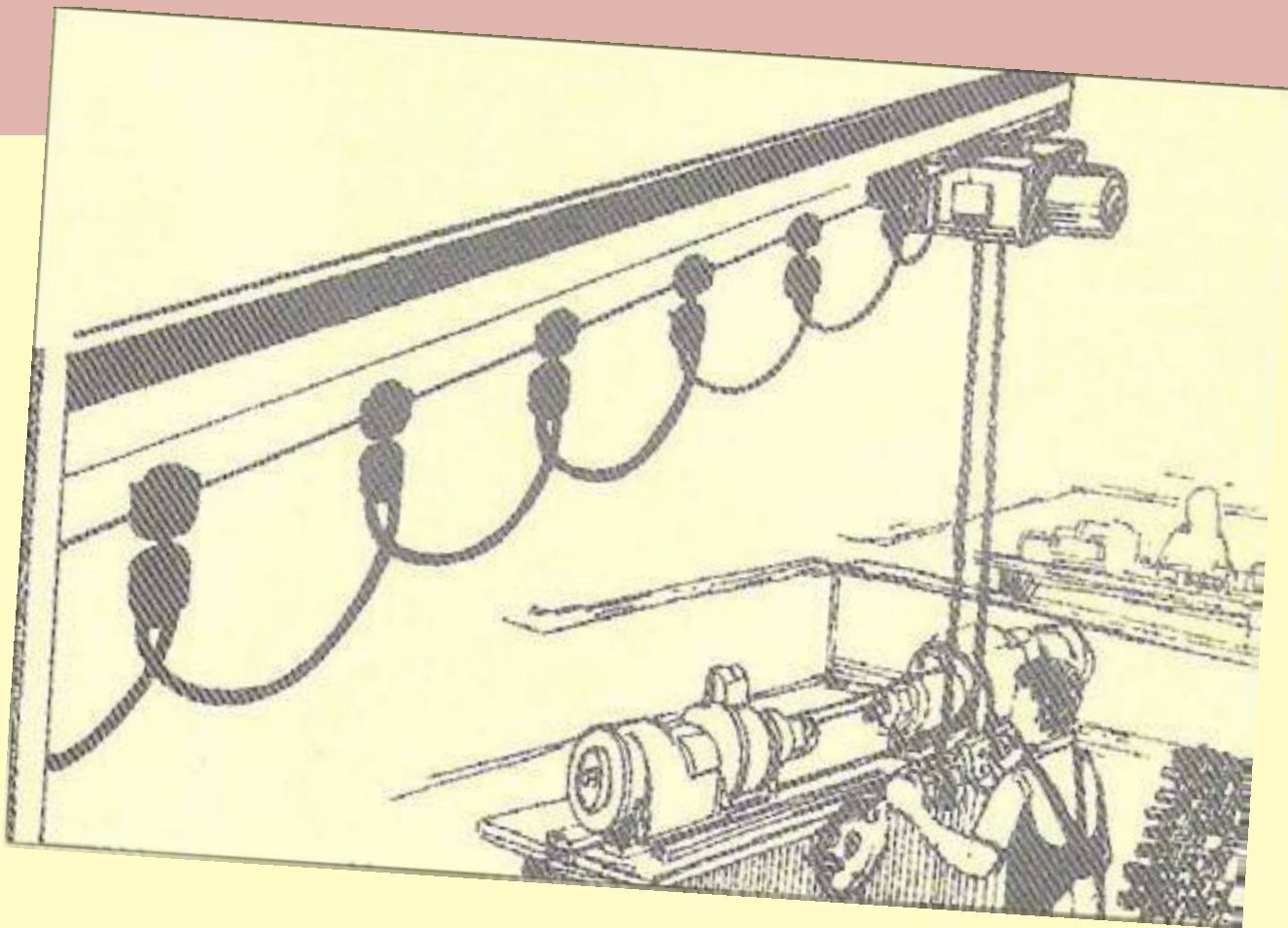
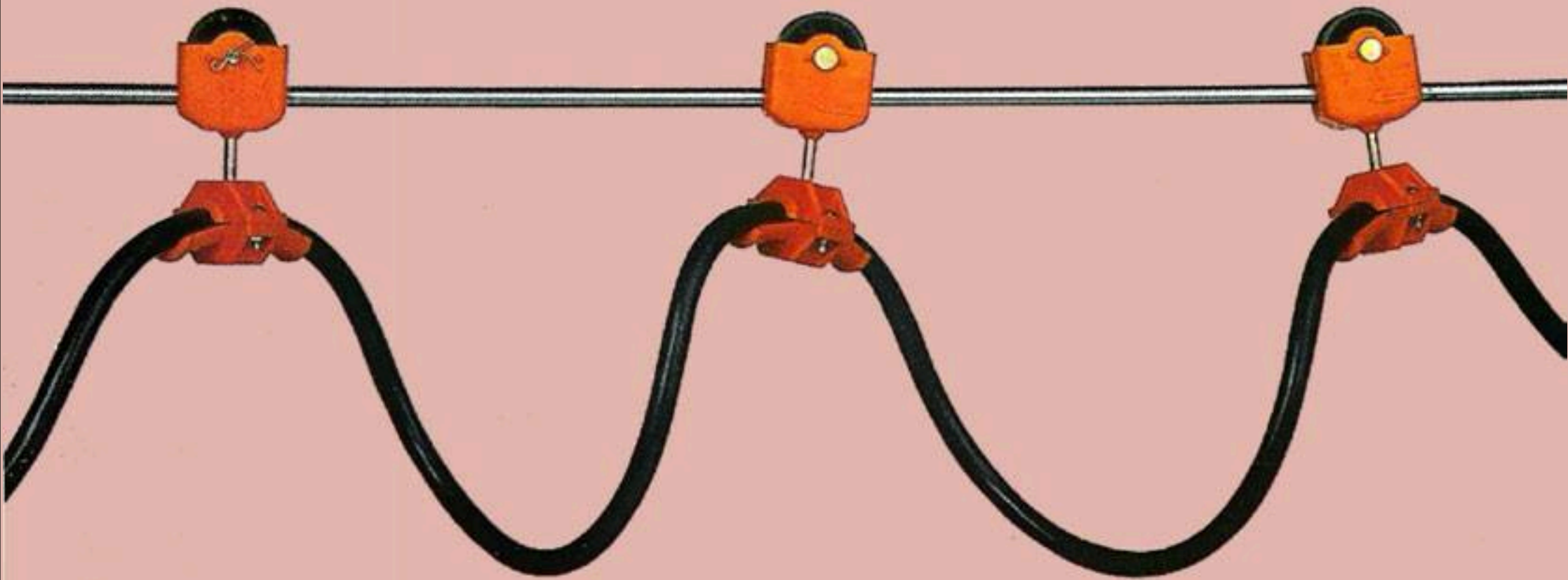
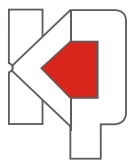


# KUMBHOJKAR'S CABLE CARRIER ASSEMBLY



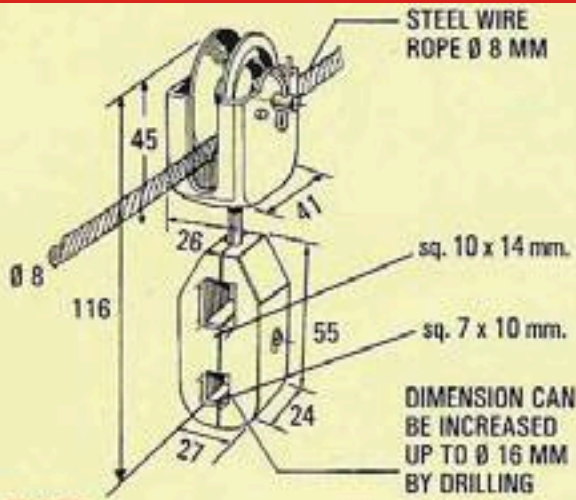
*100%  
Safe*

**Avoids leakage of  
Electric Current,  
Most Durable,  
Most Economical,  
Free, Smooth &  
Easy Movement**



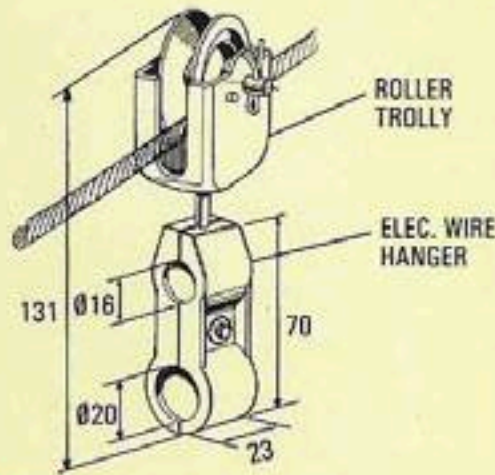
# KUMBHOJKAR™ PLASTIC MOULDERS

## Cable Carrier Assembly suitable upto $\varnothing$ 8 mm Steel Wire Rope



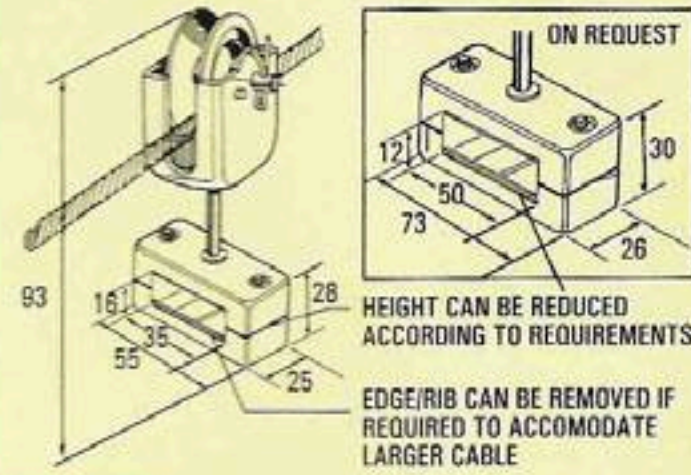
**ROUND TYPE**  
in NYLON  
in POLYPROPYLENE

CCA/RN-01  
CCA/RP-02



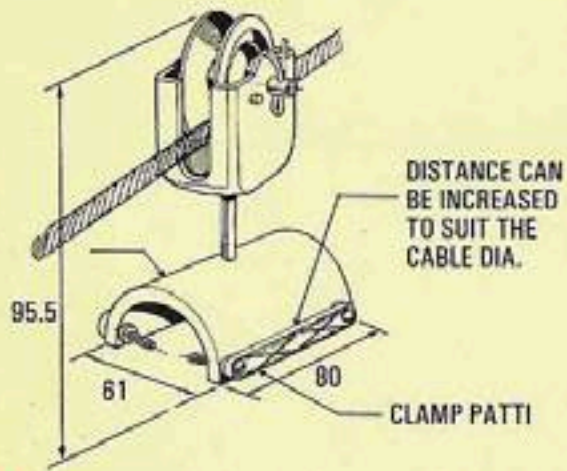
**ROUND BIG TYPE**  
in NYLON  
in POLYPROPYLENE

CCA/RBN-03  
CCA/RBP-04



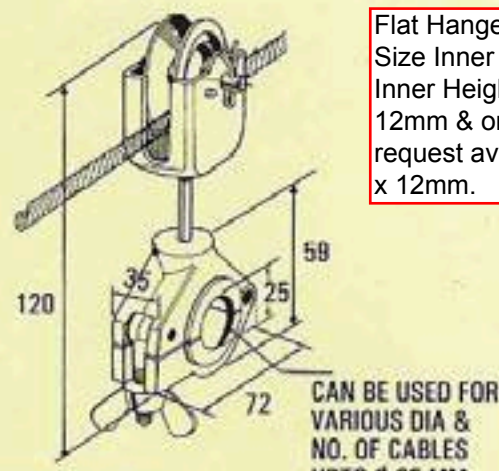
**FLAT TYPE**  
in NYLON  
in POLYPROPYLENE

CCA/FN-05  
CCA/FP-06



**TYRE TYPE**  
in NYLON  
in POLYPROPYLENE

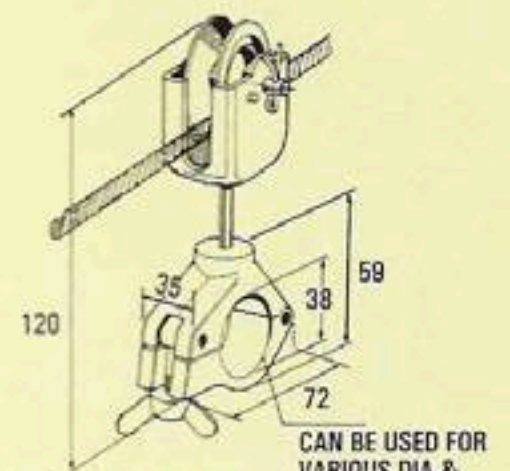
CCA/TN-07  
CCA/TP-08



**JUMBO TYPE WITH BUSH - 25 MM  $\varnothing$**   
in POLYPROPYLENE

CCA/JP-09

Flat Hanger Standard Size Inner Width X Inner Height is 40 x 12mm & on special request available is 50 x 12mm.

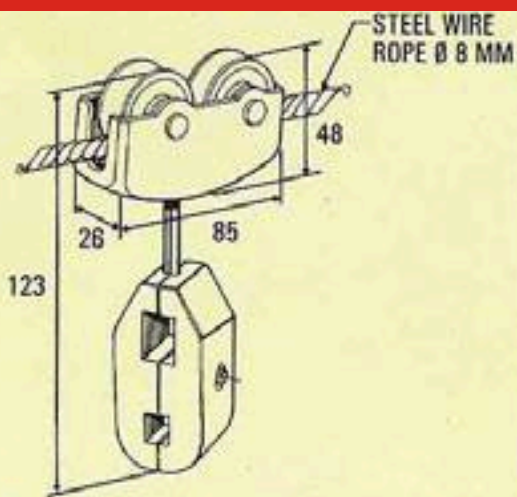


**JUMBO TYPE WITHOUT BUSH - 38 MM  $\varnothing$**   
in POLYPROPYLENE

CCA/JP-10

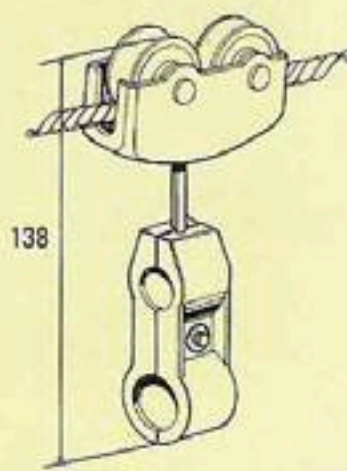
## Double Wheel Cable Carrier Assembly Suitable Up To $\varnothing$ 8 mm Steel Wire Rope.

THIS SYSTEM IS SUITABLE WHEN USE OF CRANE IS MORE FREQUENT OR FOR A LONG DISTANCE



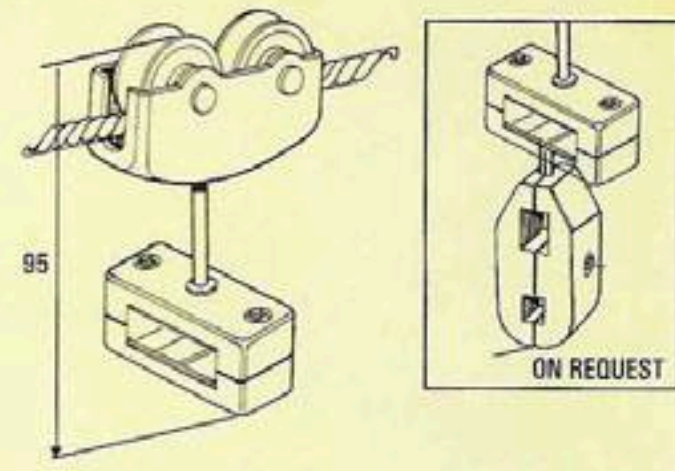
**ROUND TYPE**  
in NYLON  
in POLYPROPYLENE

DCCA/RN-11  
DCCA/RP-12



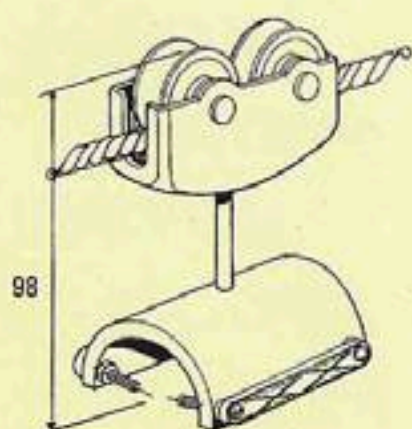
**ROUND BIG TYPE**  
in NYLON  
in POLYPROPYLENE

DCCA/RBN-13  
DCCA/RBP-14



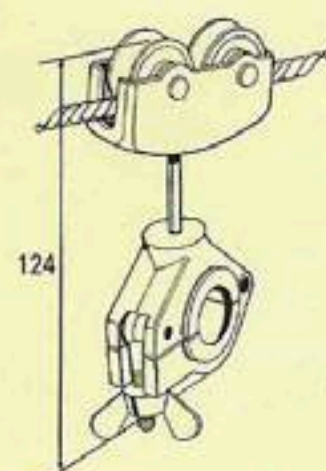
**FLAT TYPE**  
in NYLON  
in POLYPROPYLENE

DCCA/FN-15  
DCCA/FP-16



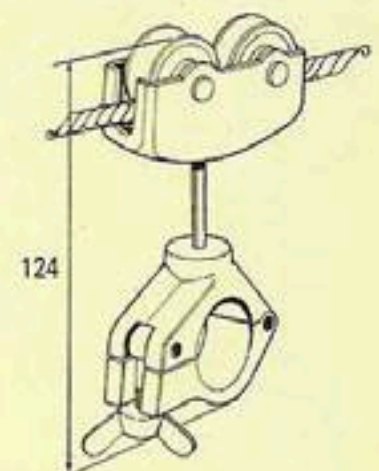
**TYRE TYPE**  
in NYLON  
in POLYPROPYLENE

DCCA/TN-17  
DCCA/TP-18



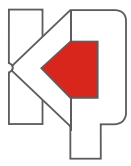
**JUMBO TYPE WITH BUSH - 25 MM  $\varnothing$**   
in POLYPROPYLENE

DCCA/JP-19



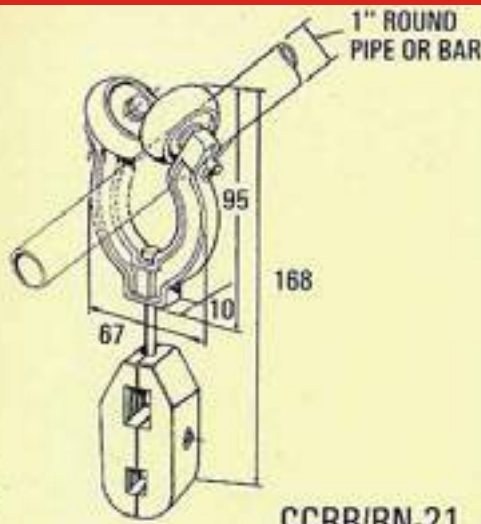
**JUMBO TYPE WITHOUT BUSH - 38 MM  $\varnothing$**   
in POLYPROPYLENE

DCCA/JP-20



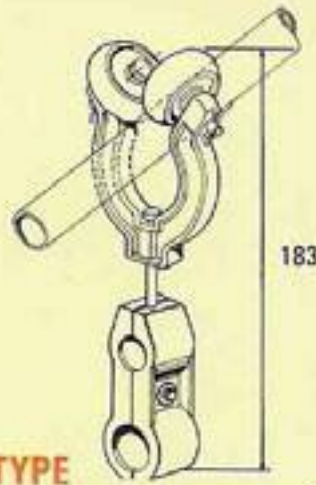
# KUMBHOJKAR<sup>TM</sup> PLASTIC MOULDERS

## Cable Carrier Assembly Suitable for Ø 25 mm Round Pipe or Bar. MOST SUITABLE FOR SHORT DISTANCE & ALSO USEFUL WITH SPRING BALANCED OR AUTO ASSEMBLY WORK STATION



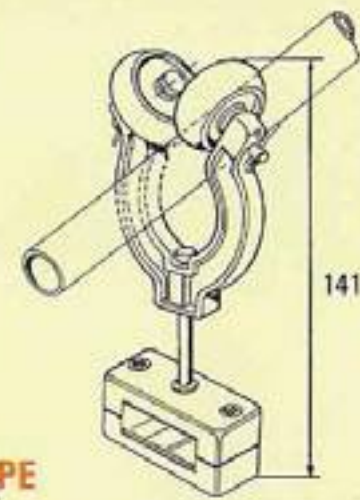
**ROUND TYPE**  
in NYLON  
in POLYPROPYLENE

CCRB/RN-21  
CCRB/RP-22



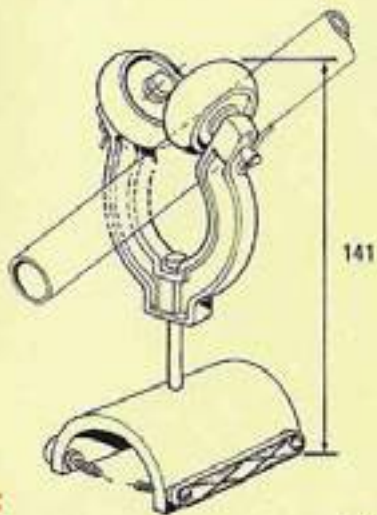
**ROUND BIG TYPE**  
in NYLON  
in POLYPROPYLENE

CCRB/RBN-23  
CCRB/RBP-24



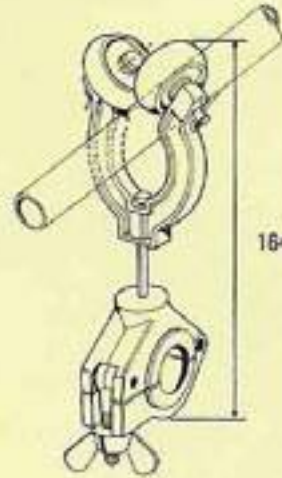
**FLAT TYPE**  
in NYLON  
in POLYPROPYLENE

CCRB/FN-25  
CCRB/FP-26



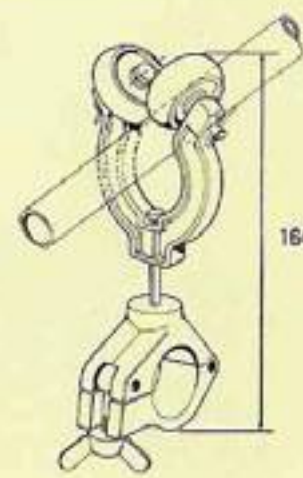
**TYRE TYPE**  
in NYLON  
in POLYPROPYLENE

CCRB/TN-27  
CCRB/TP-28



**JUMBO TYPE WITH BUSH - 25 MM Ø**  
in POLYPROPYLENE

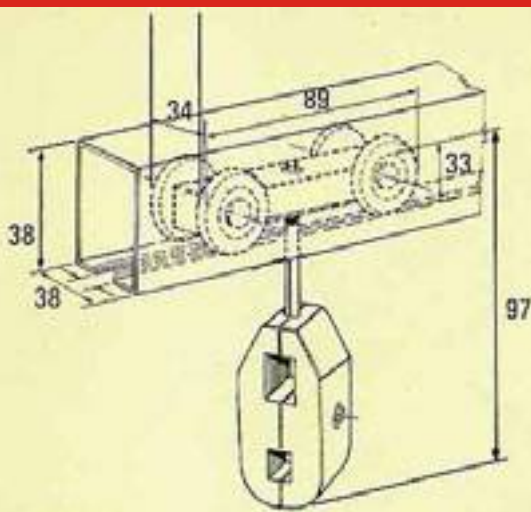
CCRB/JP-29



**JUMBO TYPE WITHOUT BUSH - 38 MM Ø**  
in POLYPROPYLENE

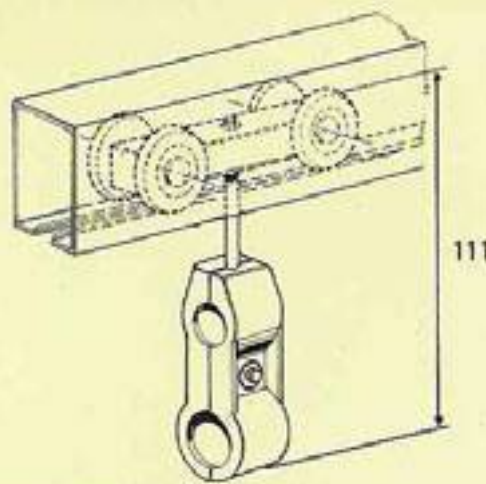
CCRB/JP-30

## Cable Carrier Assembly Suitable for Enclosed Track Sq. Inner Size 37x37 mm. MOST SUITABLE FOR SHORT DISTANCE AND ALSO USEFUL WITH SPRING BALANCED OR AUTO ASSEMBLY WORK STATION



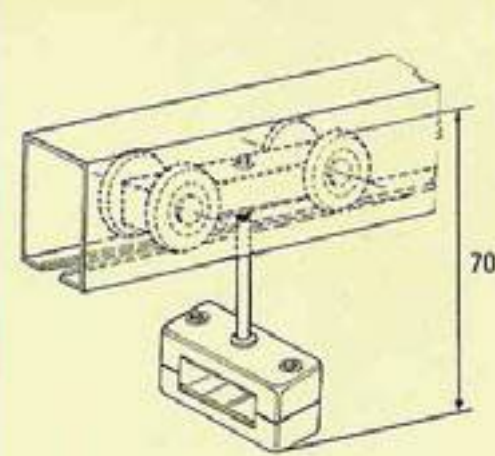
**ROUND TYPE**  
in NYLON  
in POLYPROPYLENE

CCET/RN-31  
CCET/RP-32



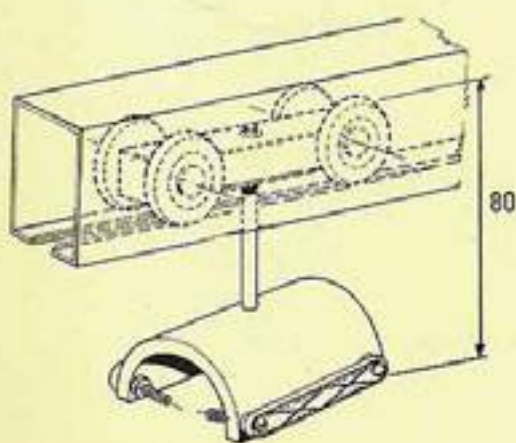
**ROUND BIG TYPE**  
in NYLON  
in POLYPROPYLENE

CCET/RBN-33  
CCET/RBP-34



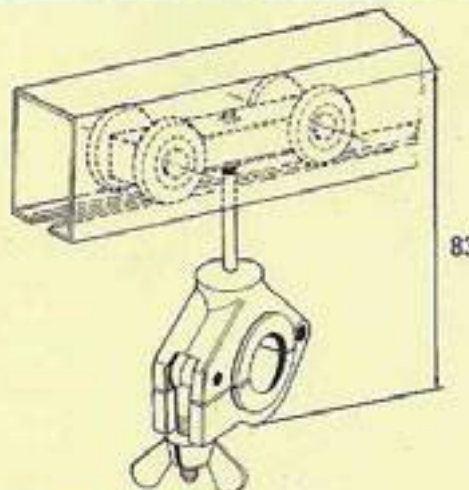
**FLAT TYPE**  
in NYLON  
in POLYPROPYLENE

CCET/FN-35  
CCET/FP-36



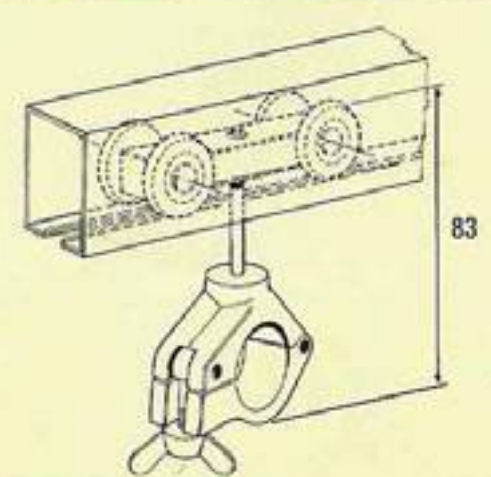
**TYRE TYPE**  
in NYLON  
in POLYPROPYLENE

CCET/TN-37  
CCET/TP-38



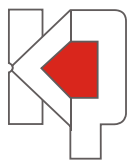
**JUMBO TYPE WITH BUSH - 25 MM Ø**  
in POLYPROPYLENE

CCET/JP-39



**JUMBO TYPE WITHOUT BUSH - 38 MM Ø**  
in POLYPROPYLENE

CCET/JP-40

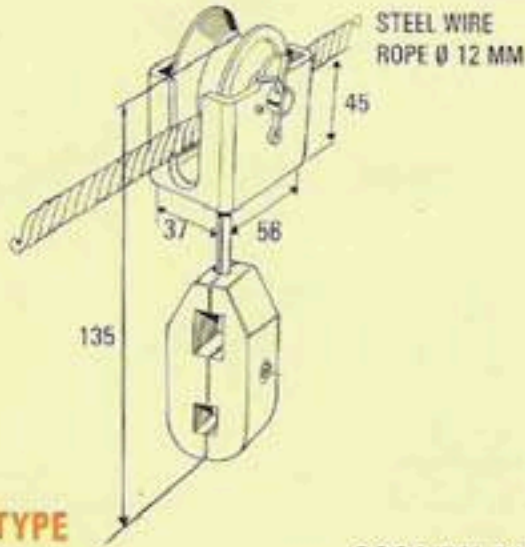


# KUMBHOJKAR<sup>TM</sup> PLASTIC MOULDERS

HEAVY DUTY & LONG DISTANCE USE

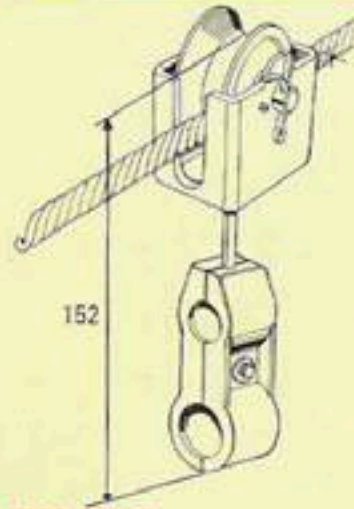
## Super Cable Carrier Assembly

Suitable Up To 12 MM Ø Steel Wire Rope.



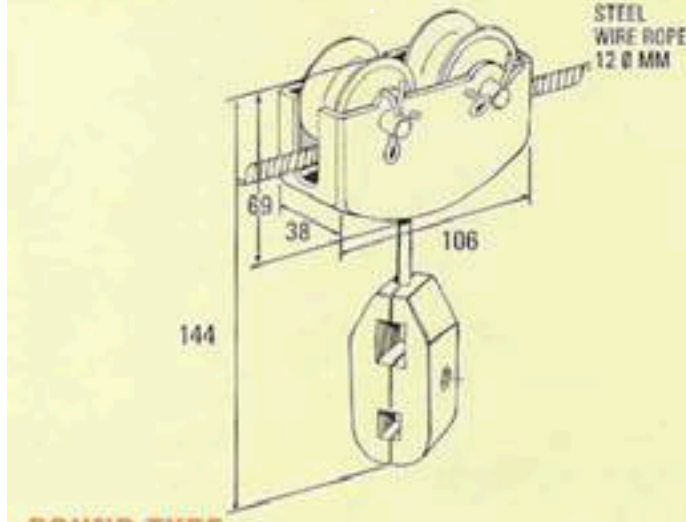
**ROUND TYPE**  
in NYLON  
in POLYPROPYLENE

SCCA/RN-41  
SCCA/RP-42



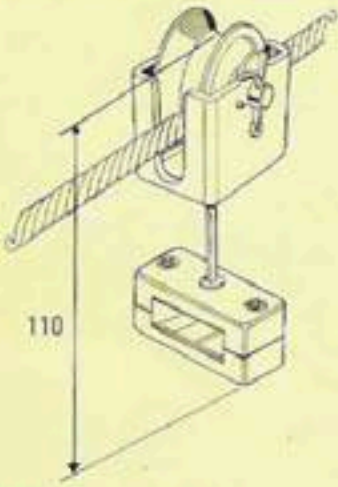
**ROUND BIG TYPE**  
in NYLON  
in POLYPROPYLENE

SCCA/RBN-43  
SCCA/RBP-44



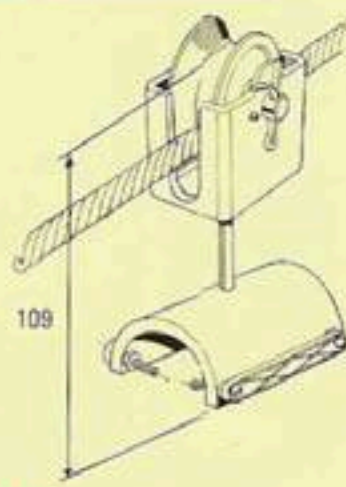
**ROUND TYPE**  
in NYLON  
in POLYPROPYLENE

SDCC/RN-53  
SDCC/RP-54



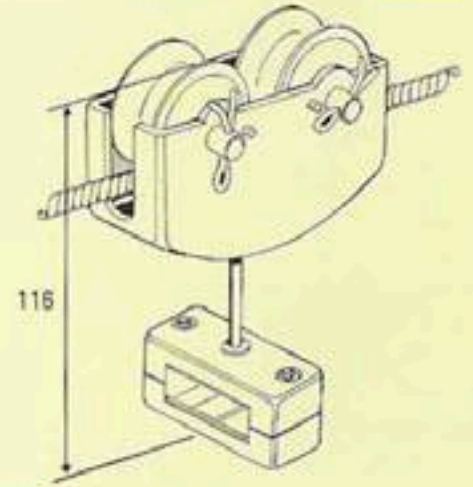
**FLAT TYPE**  
in NYLON  
in POLYPROPYLENE

SCCA/FN-45  
SCCA/FP-46



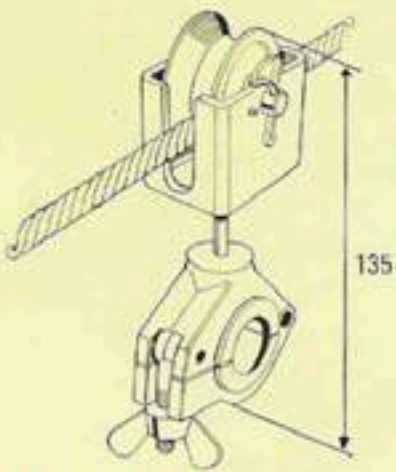
**TYRE TYPE**  
in NYLON  
in POLYPROPYLENE

SCCA/TN-47  
SCCA/TP-48



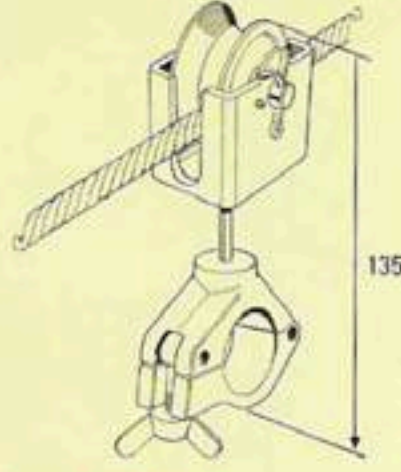
**FLAT TYPE**  
in NYLON  
in POLYPROPYLENE

SDCC/FN-57  
SDCC/FP-58



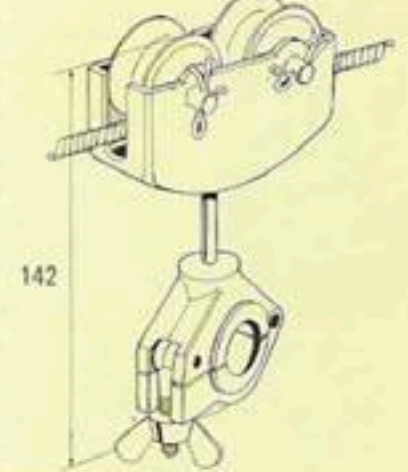
**JUMBO TYPE WITH BUSH - 25 MM Ø**  
in POLYPROPYLENE

SCCA/JP-49



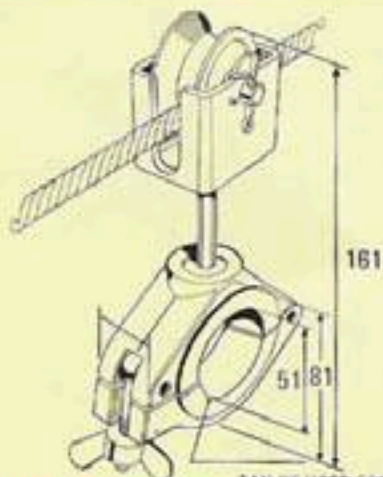
**JUMBO TYPE WITHOUT BUSH 38 MM Ø**  
in POLYPROPYLENE

SCCA/JP-50



**JUMBO TYPE WITH BUSH 25 MM Ø**  
in POLYPROPYLENE

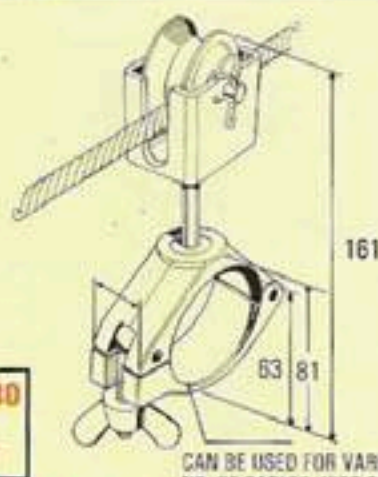
SDCC/JP-61



**SUPER JUMBO TYPE WITH BUSH 51 MM Ø**  
in POLYPROPYLENE

SCCA/SJP-51

CAN BE USED FOR VARIOUS DIA & NO. OF CABLES UPTO 51 MM DIA.

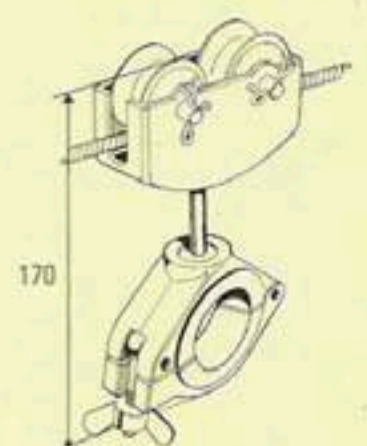


**SPECIAL JUMBO 76 MM Ø ON REQUEST**

**SUPER JUMBO TYPE WITHOUT BUSH 63 MM Ø**  
in POLYPROPYLENE

SCCA/SJP-52

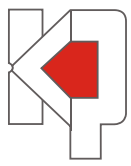
CAN BE USED FOR VARIOUS DIA & NO. OF CABLES UPTO 83 MM DIA.



**SUPER JUMBO TYPE WITH BUSH 51 MM Ø**  
in POLYPROPYLENE

SDCC/SJP-63

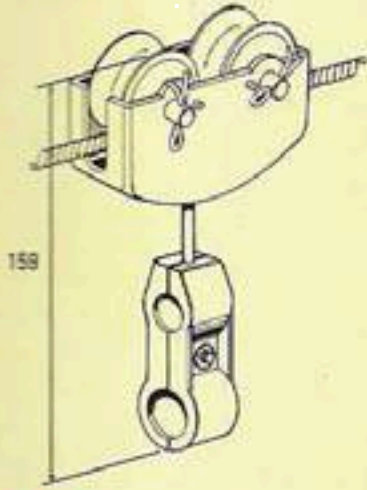
THIS SYSTEM IS SUITABLE WHEN USE OF CRANE IS MORE FREQUENT OR FOR A LONG DISTANCE  
**Super Double Wheel Cable Carrier Assembly Suitable Up To 12 MM Ø Steel Wire Rope.**



# KUMBHOJKAR<sup>TM</sup> PLASTIC MOULDERS

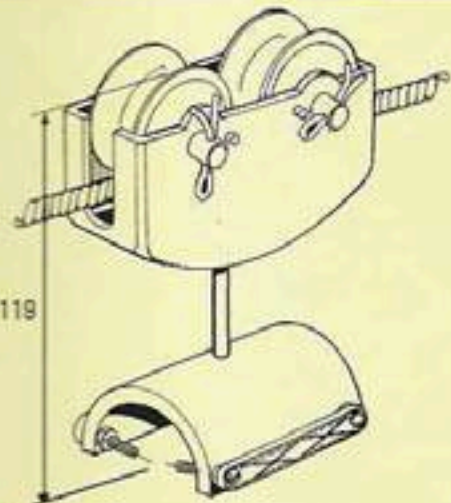
THIS SYSTEM IS SUITABLE WHEN USE OF CRANE IS MORE FREQUENT OR FOR A LONG DISTANCE

Super Double Wheel Cable Carrier Assembly Suitable Up To 12 MM Ø Steel Wire Rope.



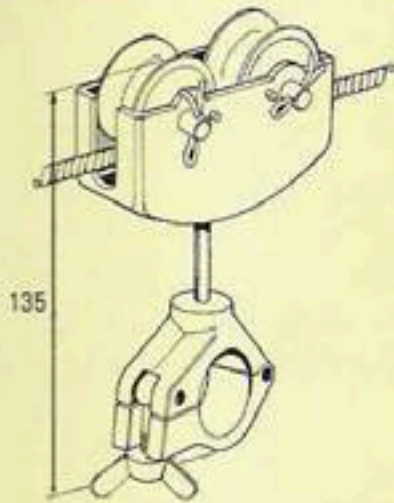
**ROUND BIG TYPE**  
in NYLON  
in POLYPROPYLENE

SDCC/RBN-55  
SDCC/RBP-56



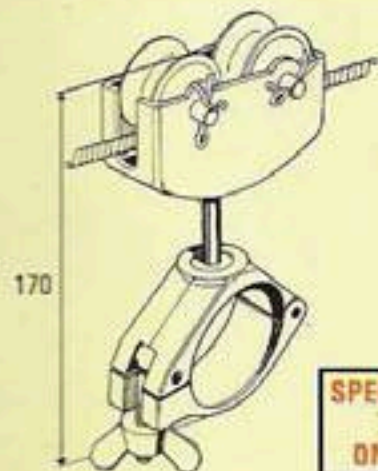
**TYRE TYPE**  
in NYLON  
in POLYPROPYLENE

SDCC/TN-59  
SDCC/TP-60



**JUMBO TYPE WITHOUT BUSH 38 MM Ø**  
in POLYPROPYLENE

SDCC/JP-62

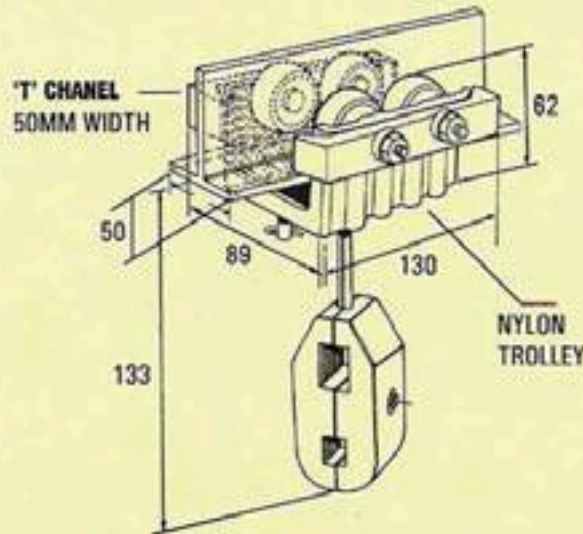


**SUPER JUMBO TYPE WITHOUT BUSH 63 MM Ø**  
in POLYPROPYLENE

SDCC/SJP-64

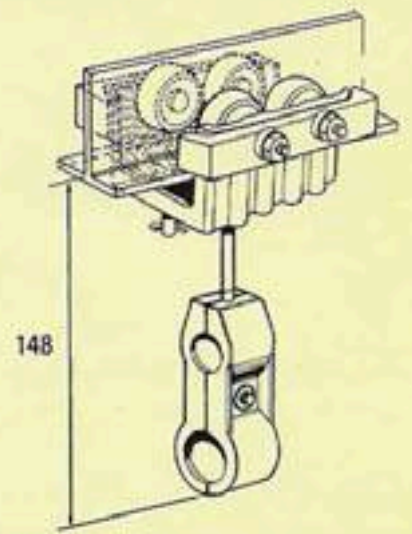
**SPECIAL JUMBO 76 MM Ø ON REQUEST**

## Trolley Type Cable Carrier Assembly Suitable For 'T' Section & 'I' Channel 50 mm Width.



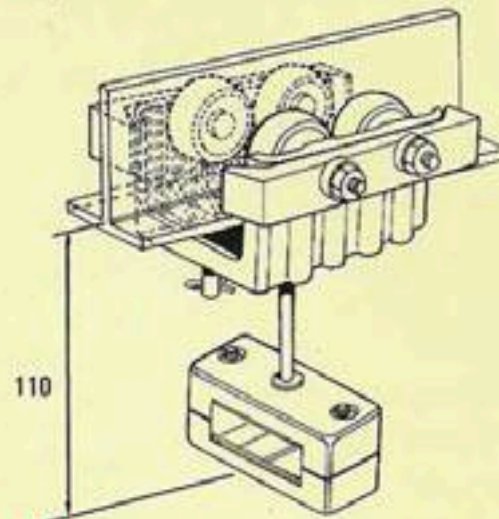
**ROUND TYPE**  
in NYLON

TCCA/RN-65



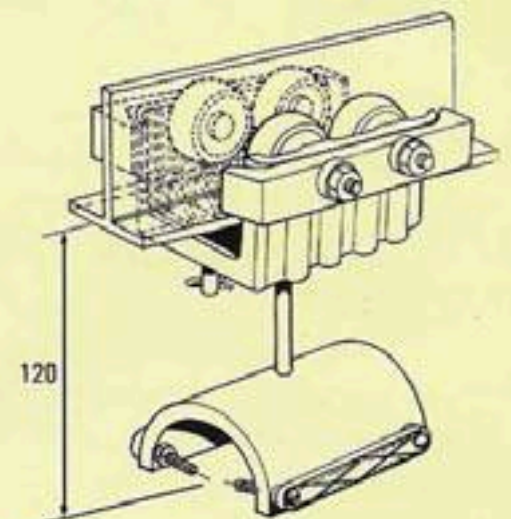
**ROUND BIG TYPE**  
in NYLON

TCCA/RBN-66



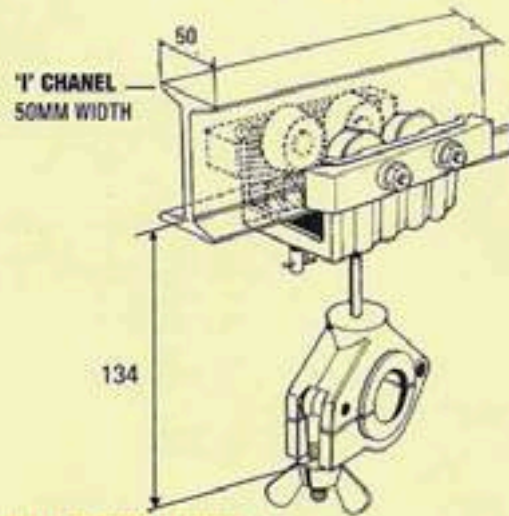
**FLAT TYPE**  
in NYLON

TCCA/FN-67



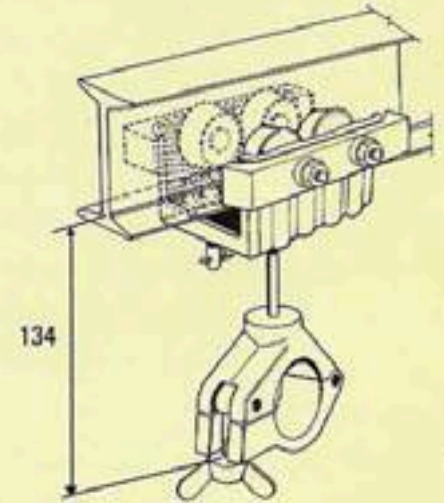
**TYRE TYPE**  
in NYLON

TCCA/TN-68



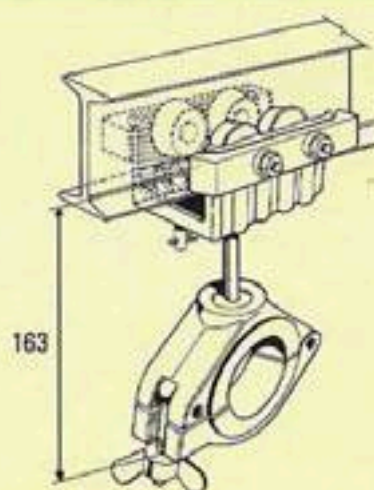
**JUMBO TYPE WITH BUSH 25 MM Ø**  
in POLYPROPYLENE

TCCA/JP-69



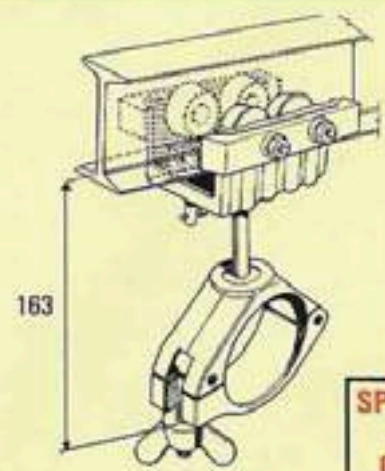
**JUMBO TYPE WITHOUT BUSH 38 MM Ø**  
in POLYPROPYLENE

TCCA/JP-70



**SUPER JUMBO TYPE WITH BUSH 51 MM Ø**  
in POLYPROPYLENE

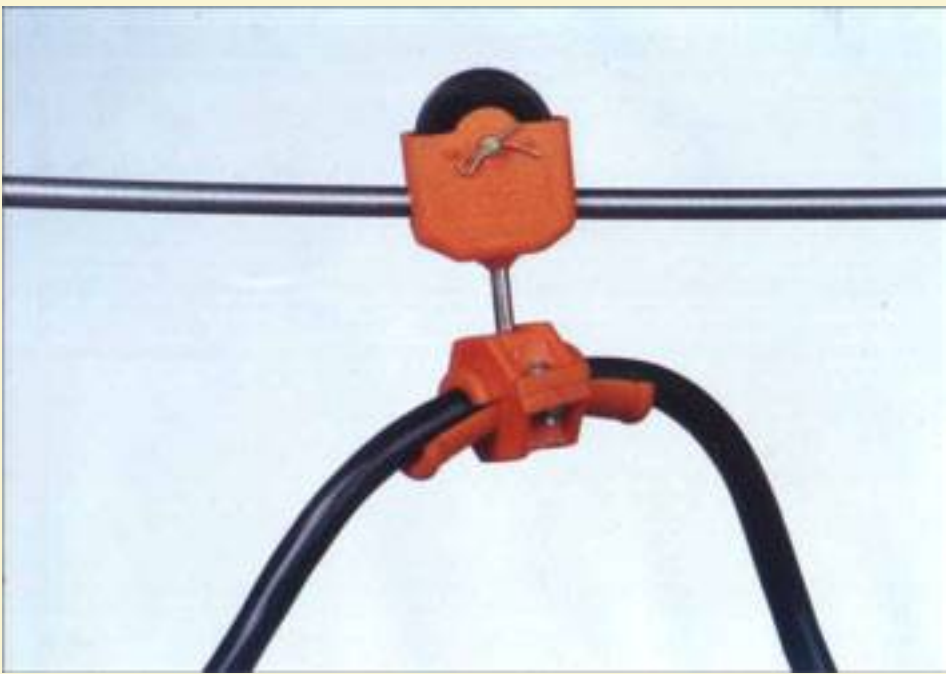
TCCA/SJP-71



**SUPER JUMBO TYPE WITHOUT BUSH 63 MM Ø**  
in POLYPROPYLENE

TCCA/SJP-72

**SPECIAL JUMBO 76 MM Ø ON REQUEST**



## New Design

Exclusively designed to prevent sharp bending of cables. The cable will take a gradual curve as per the versatile shape of the hanger of this new assembly. It can carry cables having outer dia 11 to 16 mm.

**Kumbhojkar™ Plastic Moulders**, the trusted name in Engineering Plastics have manufactured a very specialised and innovative cable trailing system namely **Cable Carrier Assembly**. This system manufactured for the first time in India has won the Prestigious Award of **MAHRATTA CHAMBER OF COMMERCE AND INDUSTRIES, PUNE**.

In the past, people always used items like ceramic bushes, curtain rings or leather pieces to guide the cable alongwith a tension wire rope or a bar. This not only had a poor appearance but also had a poor performance. For example, in a hoist, the section closest to the hoist would get pulled fully, which then would transfer the pulling motion to the leather piece, or ceramic bush or curtain ring, which would then pull the next such element. This causes a strain on the wire, giving a possibility of breakage if wire and the danger of 440V cables being broken.

**Cable Carrier Assembly** eliminates all these disadvantages. It is made from non-conductive material - Nylon/Polypropylene for the perfect insulation and maintenance - free durability. It gives very free, smooth and easy forward and backward movement with uniformly spaced carrier points. It requires absolutely no maintenance, being designed for very long life cycles. It also increases the life of the cable it carries, as no tension is transferred to the cable in the process of movement. It enhances the cleanliness of the factory as the mess in the cables, normally seen, is eliminated. Forming equal loops and available in attractive colours, this product has made a big breakthrough in the market.

Details contained in this brochure are subject to modifications due to ongoing R & D

Besides the great utility and advantages of this system, the most important fact is the wide range. This assembly consists of a **ROLLER TROLLEY** and a **WIRE HANGER OR CLAMPING UNIT**.

**Seven types of roller trolleys are available :**

- ✍ Suitable for steel wire rope upto 8mm Ø
- ✍ Double Wheel suitable upto 8 mm Ø steel wire rope Suitable for Round Pipe or Bar 1" Ø
- ✍ Suitable for Enclosed Track inner square size 34 mm (Track also available)
- ✍ Suitable for steel wire rope upto 12 mm Ø
- ✍ Double Wheels suitable upto 12 mm Ø steel wire rope
- ✍ Suitable for 'T' Section/'I' Channel 50 mm width

**The hanger unit also is available in following 9 Types :**

- ✍ Round upto 14 mm Ø cable
- ✍ Round Big upto 20 mm Ø cable
- ✍ Flat - for flat cable or same dia multicables
- ✍ Type - same dia multicables
- ✍ Jumbo with bush 25 mm - various dia cables
- ✍ Jumbo without bush 38 mm - various dia cables
- ✍ Super Jumbo with bush 51 mm - various dia cables
- ✍ Super Jumbo without bush 63 mm - various dia cables
- ✍ Super Jumbo 76 mm - various dia cables on request

**ALL SIZES AVAILABLE IN EX-STOCK.**

We have supplied the systems to many reputed industries & crane manufacturers in India. They are very much satisfied with the use of it and we are receiving repeat orders from all corners of the



**KUMBHOJKAR  
PLASTIC  
MOULDERS**

129, NARAYAN PETH, SITAPHALBAUG COLONY,  
NEAR MATI GANPATI, PUNE : 411 030. INDIA.  
TEL. : 020-4450055/60, FAX : 020-4480544  
E-Mail : sales@kumbhojkarplastics.com  
WEB SITE : www.kumbhojkarplastics.com

# New Models in Cable Carrier Assembly (CCA)



---

**CCA suitable for 8 mm Wire Rope - Cable Clamping dia. 11 to 16 mm**

in Nylon - CCA/NRN-01-A  
in Polypropylene - CCA/NRP -02 -B

**CCA suitable for 8 mm Wire Rope - Cable Clamping dia. 16 to 30 mm**

in Nylon - CCA/NRBN-03-A  
in Polypropylene - CCA/NRBP-04-B

---



---

**Double Wheel CCA suitable for 8 mm Wire Rope - Cable Clamping dia. 11 to 16 mm**

in Nylon - DCCA/NRN-11-A  
in Polypropylene - DCCA/NRP-12-B

**Double Wheel CCA suitable for 8 mm Wire Rope - Cable Clamping dia. 16 to 30 mm**

in Nylon - DCCA/NRBN-13-A  
in Polypropylene - DCCA/NRBP-14-B

---



---

**CCA suitable for dia. 25 mm Round Pipe or Bar - Cable Clamping dia. 11 to 16 mm**

in Nylon - CCRB/NRN-21-A  
in Polypropylene - CCB/NRP -22 -B

**CCA suitable for dia. 25 mm Round Pipe or Bar - Cable Clamping dia. 16 to 30 mm**

in Nylon - CCRB/NRBN-23-A  
in Polypropylene - CCRB/NRBP -24 -B

---



---

**CCA suitable for enclosed track - Cable Clamping dia. 11 to 16 mm**

in Nylon - CCET/NRN-31-A  
in Polypropylene - CCET/NRP -32 -B

**CCA suitable for enclosed track - Cable Clamping dia. 16 to 30 mm**

in Nylon - CCET/NRBN-33-A  
in Polypropylene - CCET/NRBP -34 -B

---



---

**CCA Suitable for 12 mm Wire Rope - Cable Clamping dia. 11 to 16 mm**

in Nylon - SCCA/NRN-41-A  
in Polypropylene - SCCA/NRP -42 -B

**CCA Suitable for 12 mm Wire Rope - Cable Clamping dia. 16 to 30 mm**

in Nylon - SCCA/NRBN-43-A  
in Polypropylene - SCCA/NRBP -44 -B

---

Nylon - Grey Colour

Polypropylene Orange Colour



**Double Wheel CCA suitable for 12 mm Wire Rope - Cable Clamping dia. 11 to 16 mm**  
 in Nylon - SDCC/NRN-53-A (Grey Colour)  
 in Polypropylene - SDCCA/NRP -54 -B (Orange Colour)

**Double Wheel CCA suitable for 12 mm Wire Rope - Cable Clamping dia. 16 to 30 mm**  
 in Nylon - SDCC/NRBN-55-A (Grey Colour)  
 in Polypropylene - SDCC/NRBP -56 -B (Orange Colour)

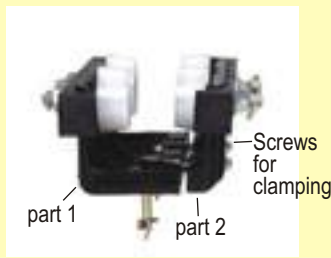


**CCA suitable for T/I Section of 50 mm width - Cable Clamping dia. 11 to 16 mm**  
 in Nylon - TCCA/NRN-65-A

**CCA Suitable for T/I Section of 50 mm width - Cable Clamping dia. 16 to 30 mm**  
 in Nylon - TCCA/NRBN-66-A



**Model New TCCA**



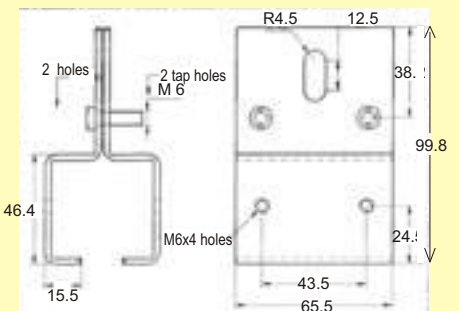
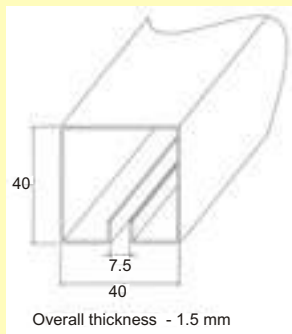
**New Design TCCA**

Trolley has 2 parts that are fixed with the help of screws from sides. This facilitates fast installation on the T / I section. In case one trolley has to be removed for maintenance it can be done without removing all the trolleys from T/I section. The hanger unit comes as per our TCCA range

*While placing order for this item clearly specify in Purchase Order as "New Design TCCA"*



**CCA Enclosed Track in MS for CCET Model**  
 Standard length 6 Feet



**CCA Joint pieces in MS for enclosed track**



**CCA Adjustable Metal Trolley for T/I sections.** Details and quotation on request

*Dimensions and drawings subject to change due to on-going R & D.*



**KUMBHOJKAR PLASTIC MOULDERS**

129, Narayan peth, Sitaphal Baug Colony, Near Mati Ganpati, Pune : 411 030. Tel.: 020-24450055/24450060.  
 Fax : 020-24480544 • Website : [www.kumbhojkarplastics.com](http://www.kumbhojkarplastics.com) • Email [sales@kumbhojkarplastics.com](mailto:sales@kumbhojkarplastics.com)